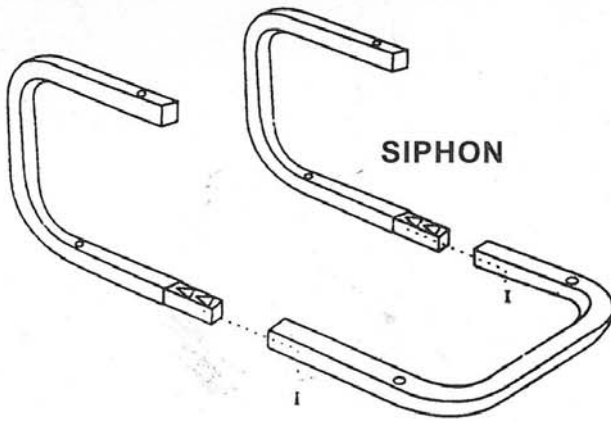
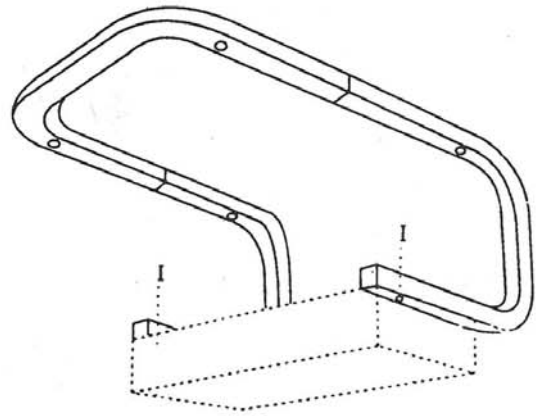




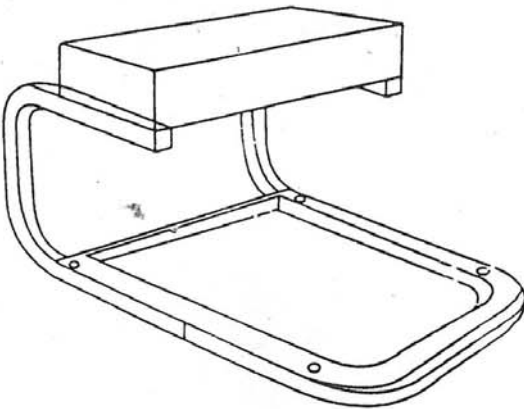
SEAT CREEPERS



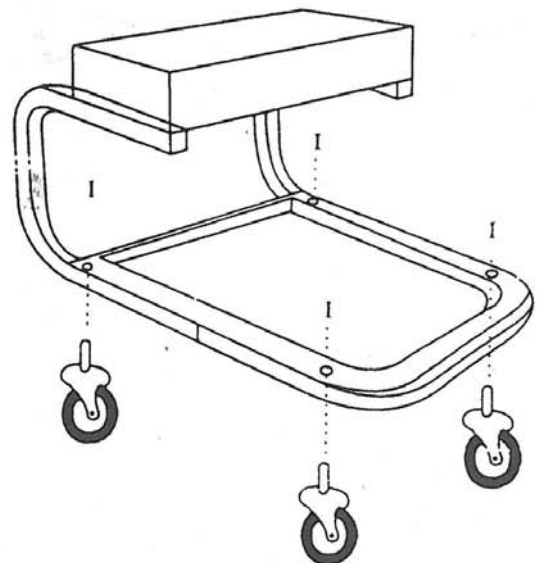
1. Use connect cubic tube with screw



2. Install seat



3. Install plastic plate



4. Install multi-position wheel-